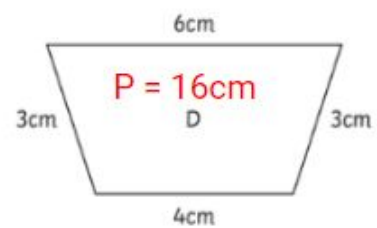
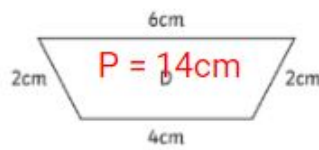
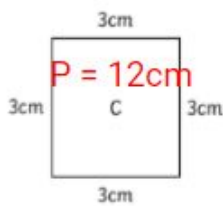
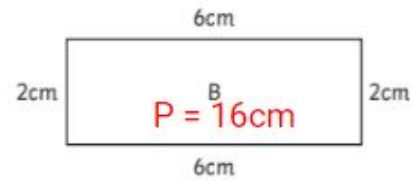
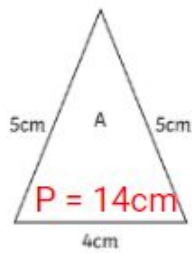
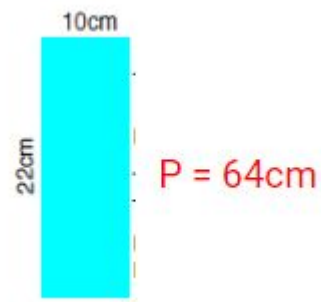
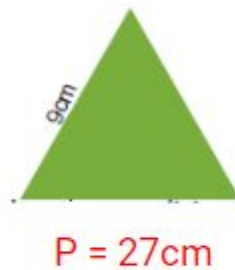
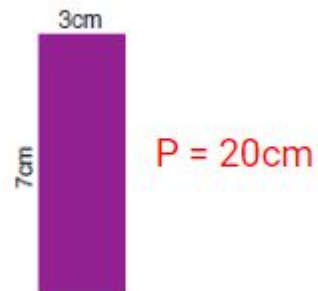
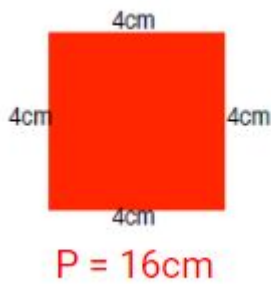




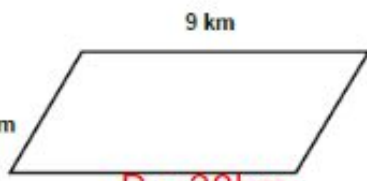
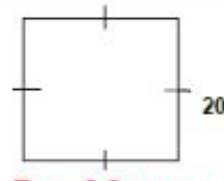

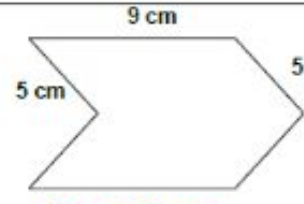
Red: Calculate the perimeter of these shapes.



Yellow: Calculate the perimeter of these shapes. Remember to use what you know about the shapes to find the missing lengths.



Green: Calculate the perimeter of these shapes. Remember to use the information you already have to find the missing lengths before calculating the perimeter.

 <p>Perimeter : <u> </u> P = 60km</p>	 <p>Perimeter : <u> </u> P = 60mm</p>
 <p>Perimeter : <u> </u> P = 30km</p>	 <p>Perimeter : <u> </u> P = 80mm</p>
 <p>Perimeter : <u> </u> P = 110mm</p>	 <p>Perimeter : <u> </u> P = 38cm</p>