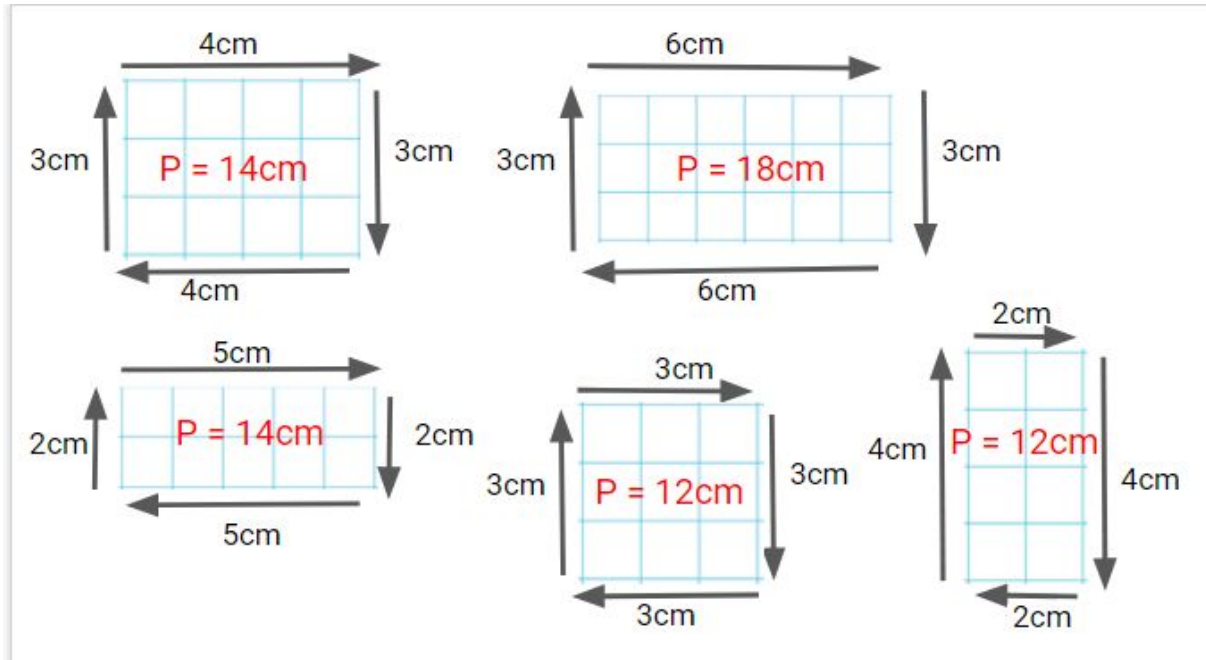
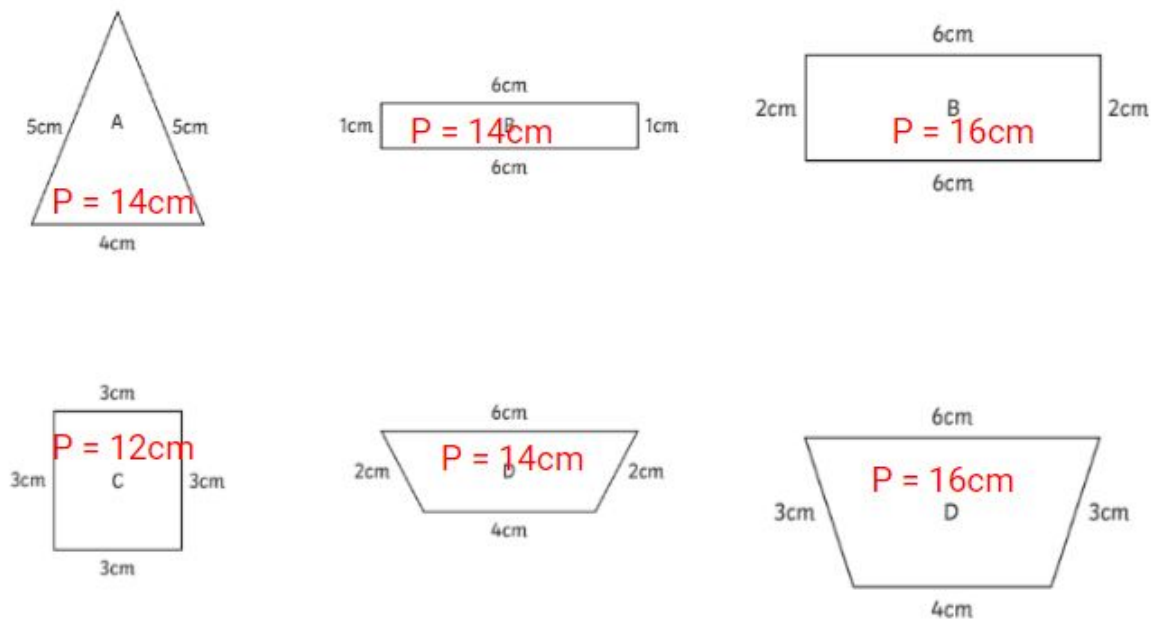


Red: Calculate the Perimeter. Remember to add up all the lengths



Yellow: Calculate the perimeter. Remember to add up all the lengths.



Green: Calculate the perimeter of these shapes. Remember to use what you know to find the missing lengths.

