

Fast Five

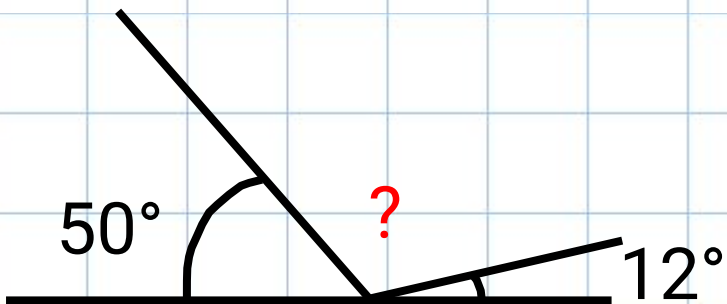
$$549\text{mm} = \quad \text{cm}$$



name
vertices
edges
faces

$$4360 - 2221 =$$

What is the missing angle?



$$18 \times 25$$

Fast Five Answers

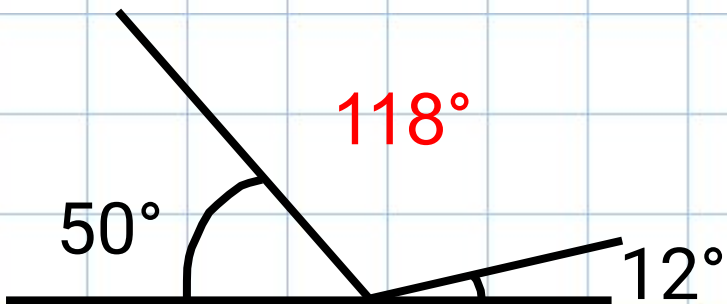


name - cube
vertices - 8
edges - 12
faces - 6

$$549\text{mm} = 54.9 \text{ cm}$$

$$4360 - 2221 = 2139$$

What is the missing angle?



$$18 \times 25 = 450$$

Lesson 5

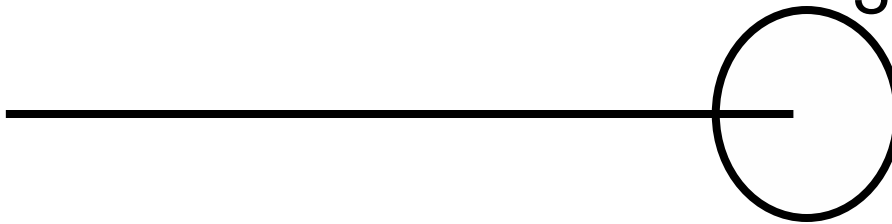
Can I calculate missing
angles?

Key facts to remember:

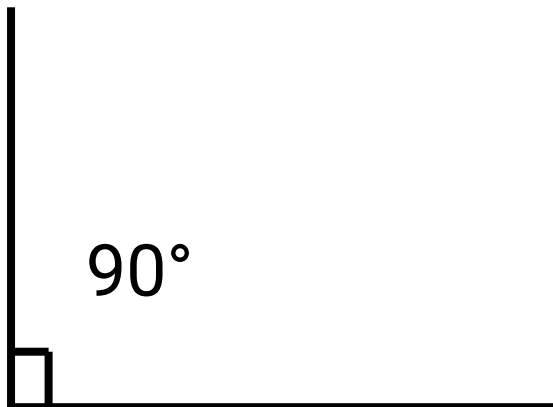
180°



360°



90°



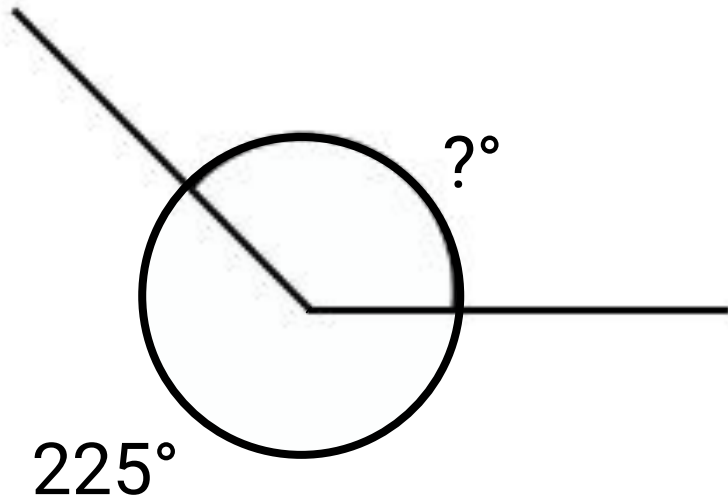
Knowing the facts for each angle can help us to calculate missing numbers in angles

Full rotation around a point = 360°

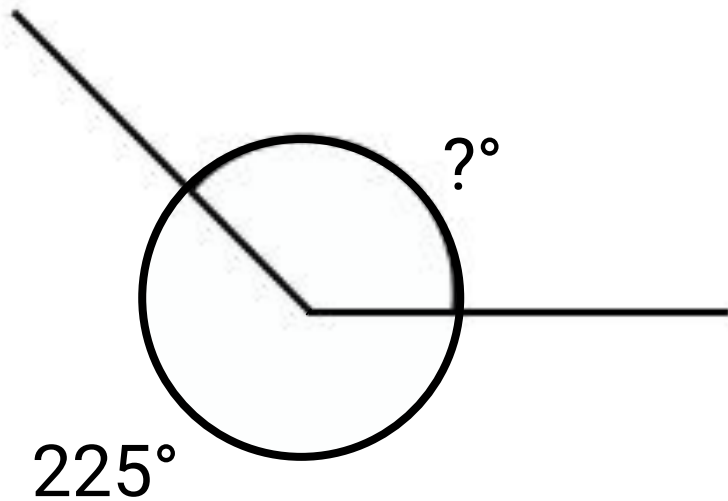
Point on a straight line = 180°

Right angle = 90°

How might you work this out?



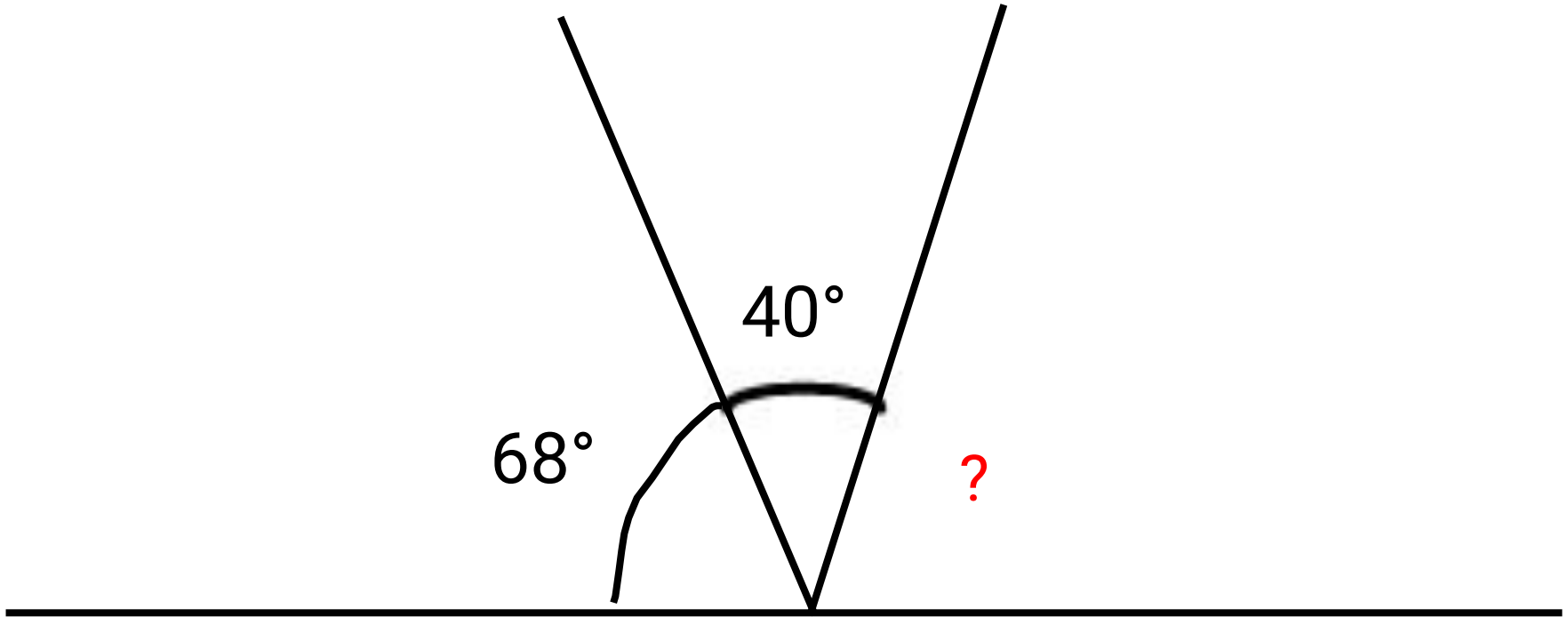
How might you work this out?



$$225 + ? = 360$$

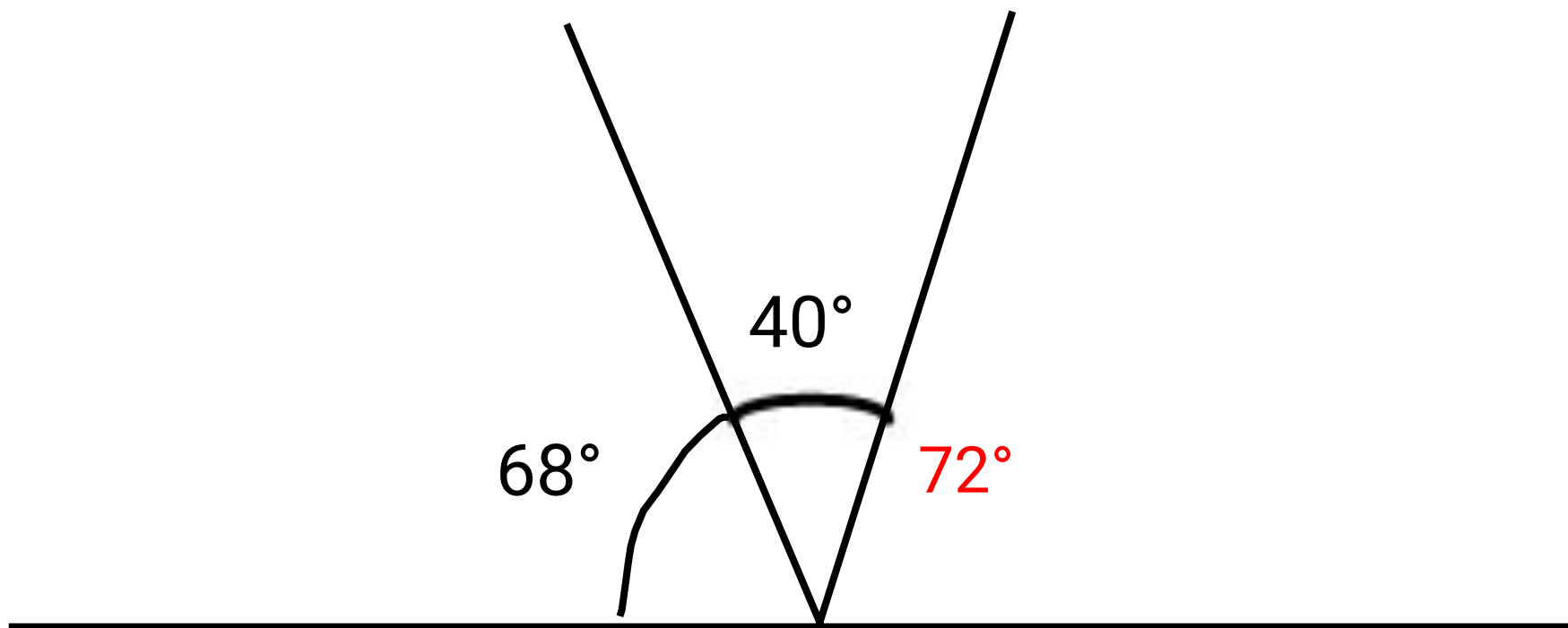
$$360 - 225 = ?$$

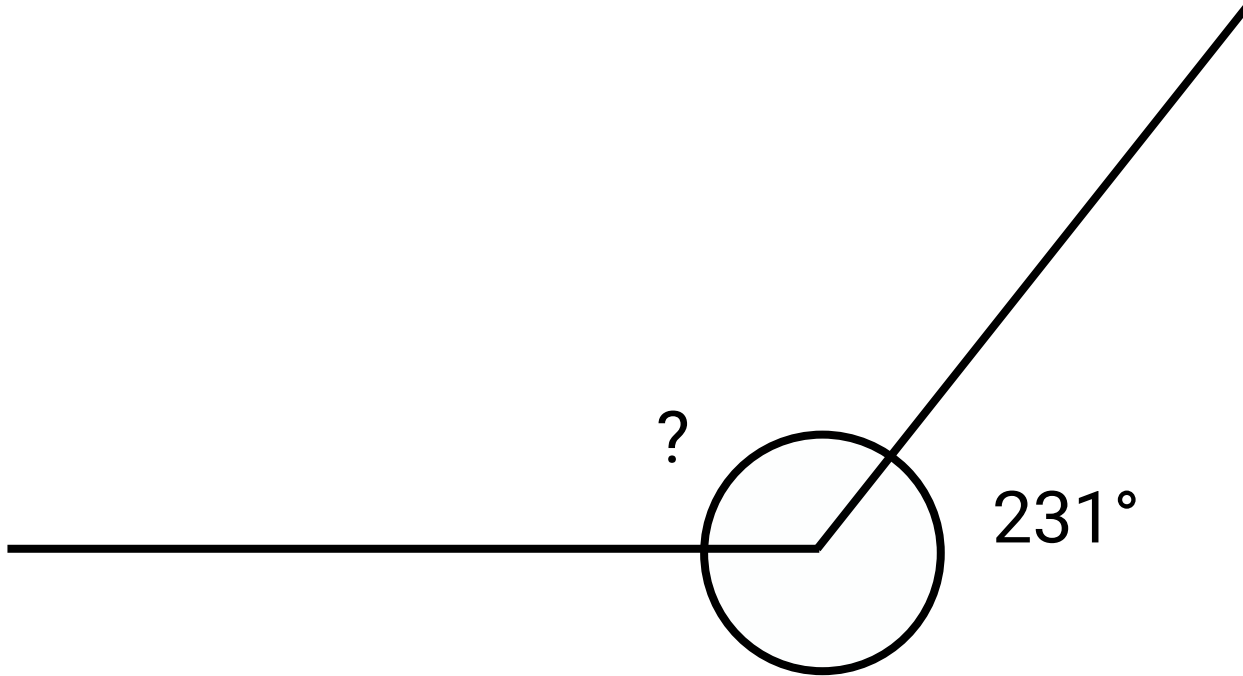
$$? = 135$$

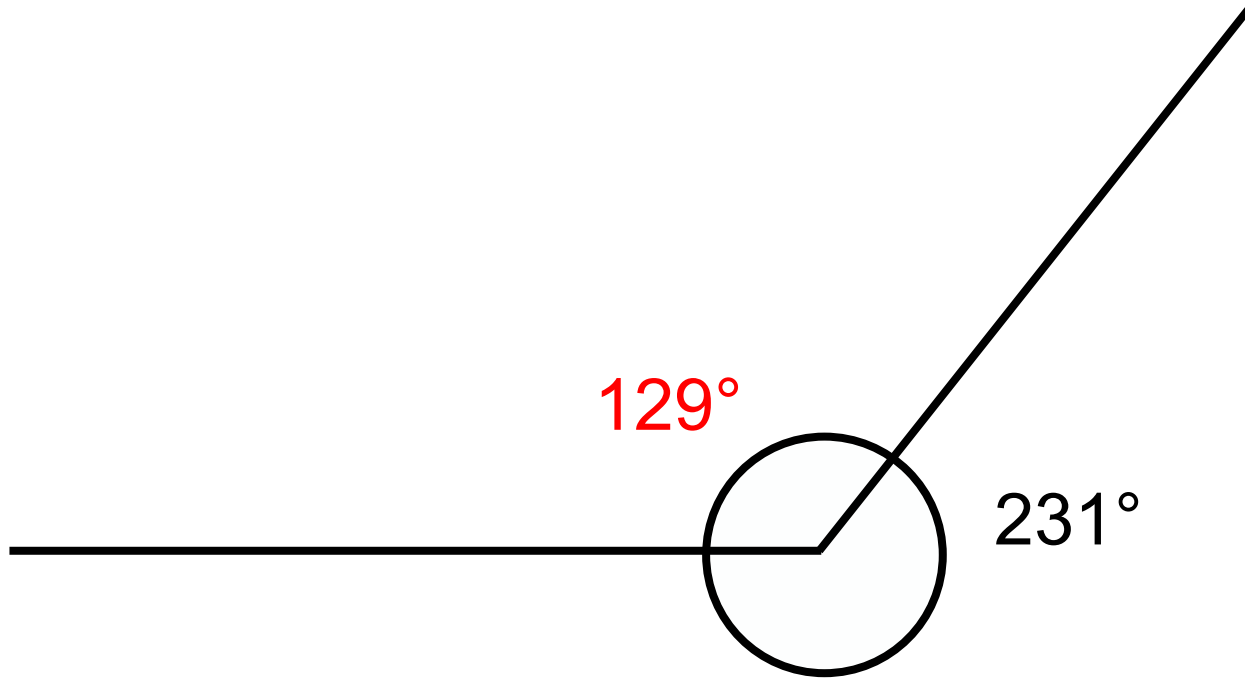


$$68 + 40 = 108$$

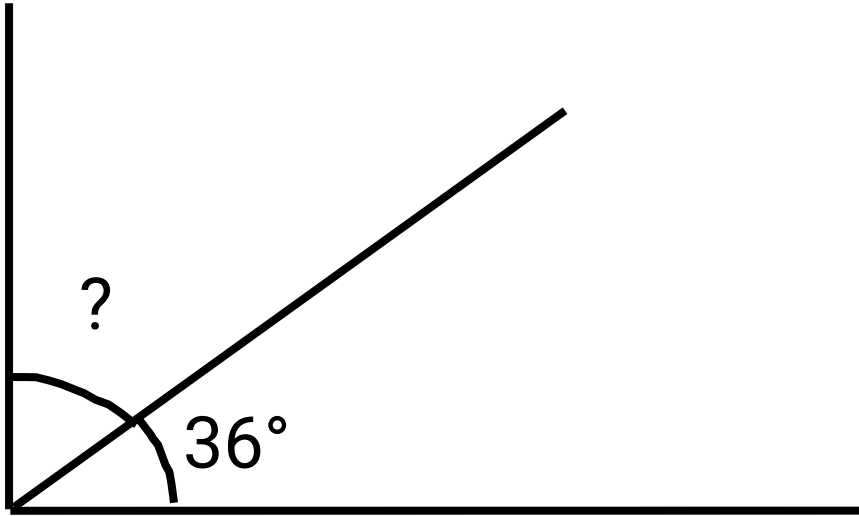
$$180 - 108 = 72$$

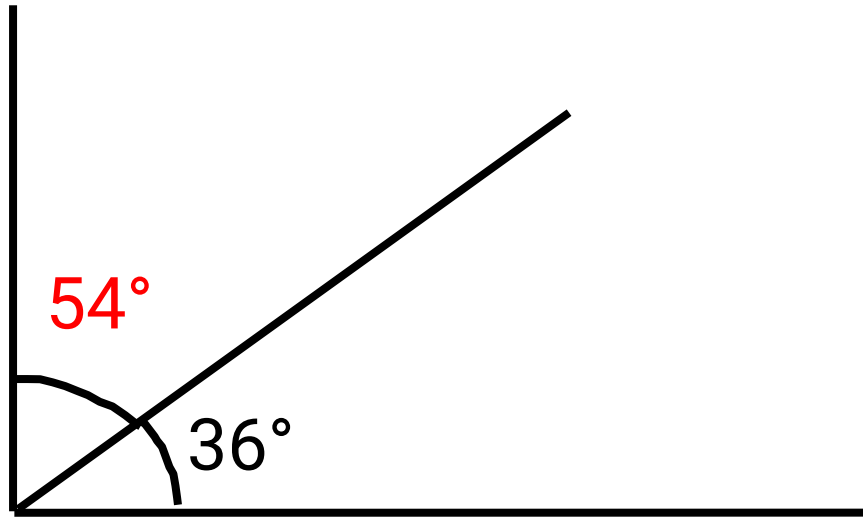




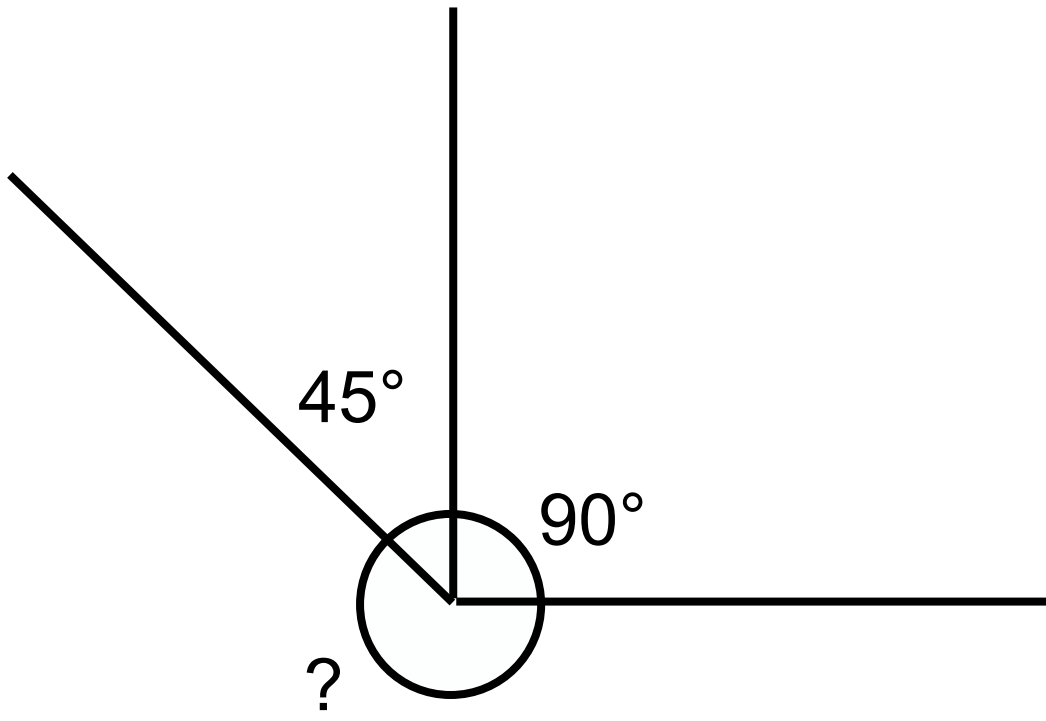


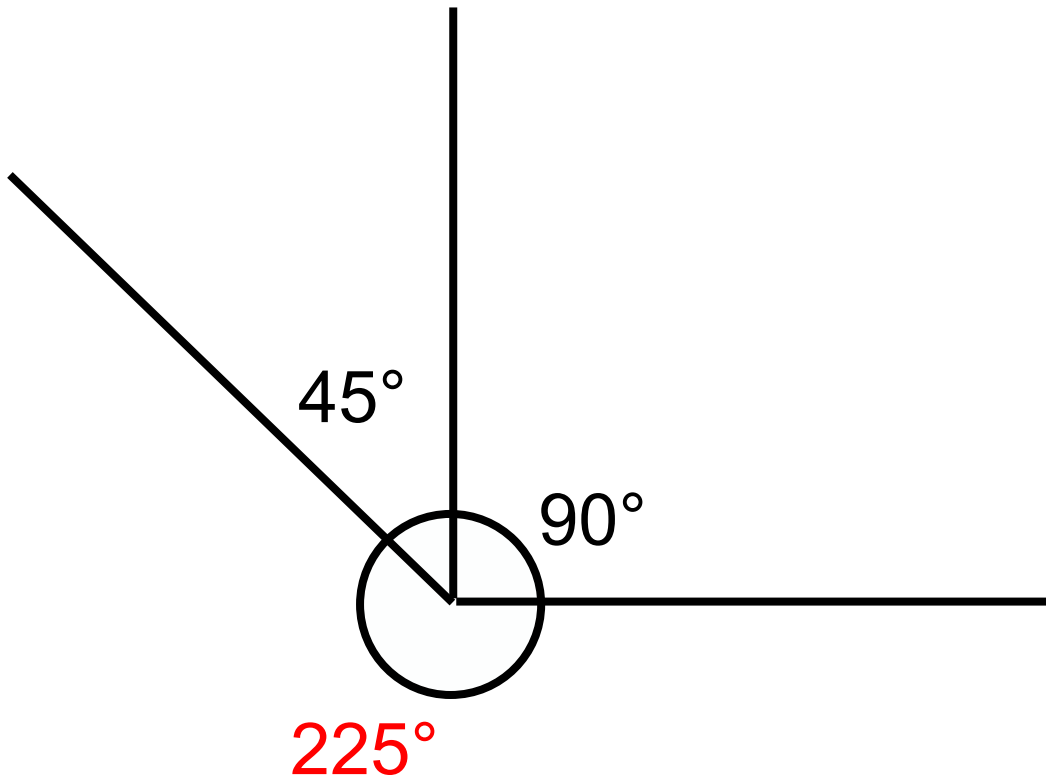
$$360 - 231 = 129$$





$$90 - 36 = 54$$





$$90 + 45 = 135$$

$$360 - 135 = 225$$

$$? = 225$$