

Fast Five

1) 0.03×100

2) $3\text{kg} = \underline{\hspace{2cm}}\text{g}$

3) 3942×23

4) $105,000 - 100,000$

5) $367,421 + 120,681$

Fast Five Answers

1) $0.03 \times 100 = 3$

2) $3\text{kg} = 3000\text{g}$

3) $3942 \times 23 = 90,666$

4) $105,000 - 100,000 = 5,000$

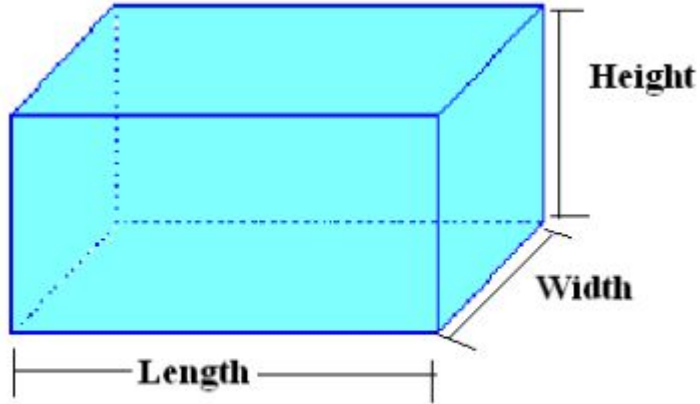
5) $367,421 + 120,681 = 488,102$

Can I calculate the volume of
3D shapes?

Volume Formula

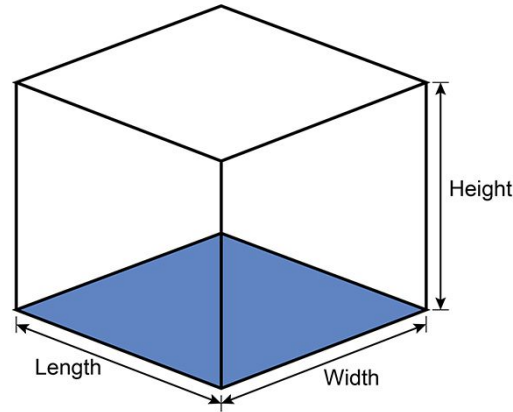
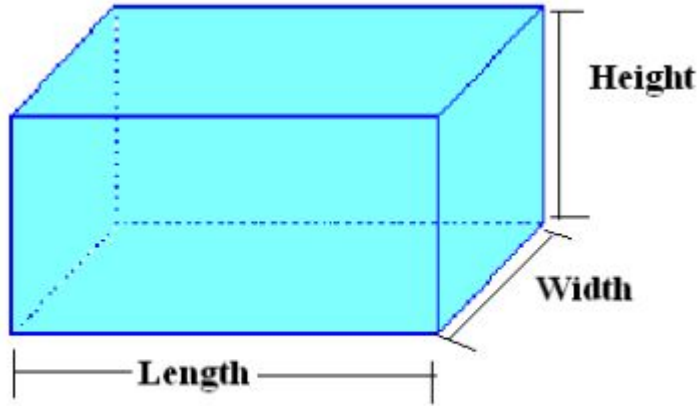
Length x Width x Height

Volume=L x W x H



Cuboid

The shapes we will be looking at



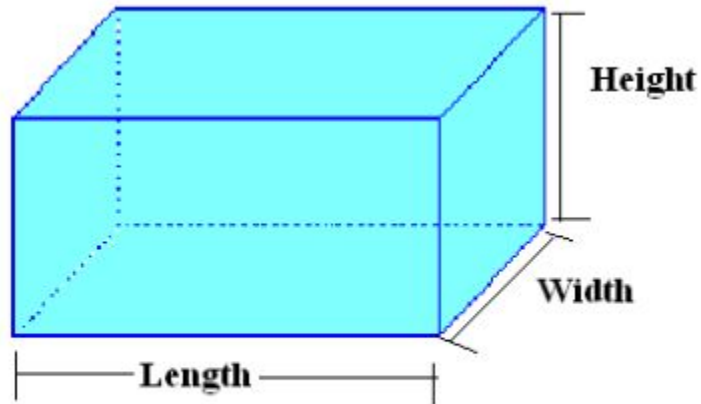
Cuboids

Cubes

**Right-angle
triangular prisms**

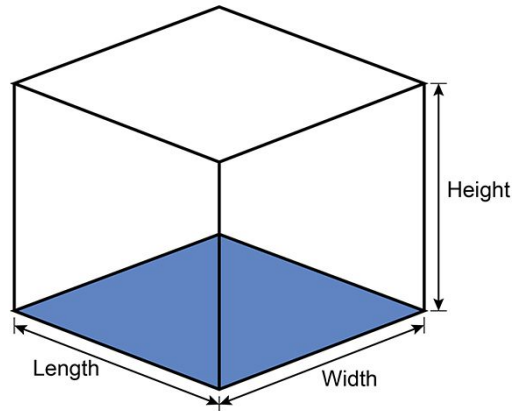
Cuboids

- It is essentially a rectangular box.
- Each face is a rectangle.
- Each vertice is a right-angle.



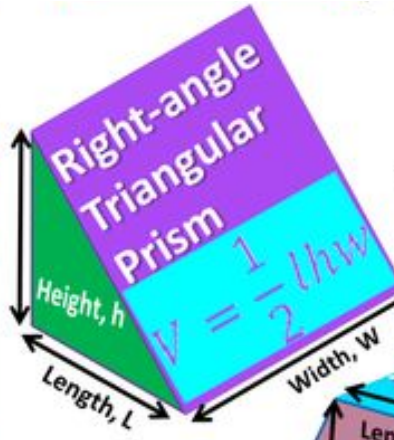
Cubes

- It is essentially a square box.
- Each face is a square.
- Each vertice is a right-angle.

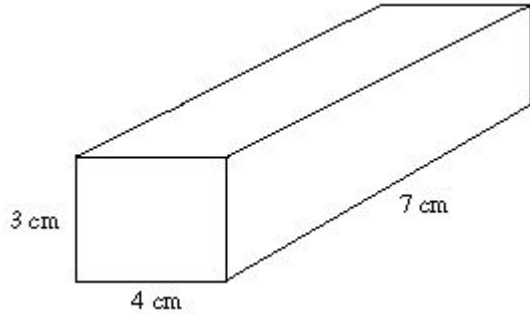


Right-angle triangular prisms

- 3 rectangular faces.
- 2 triangular faces.
- It is half of a cuboid.
- To find the volume we half the answer to $L \times W \times H$



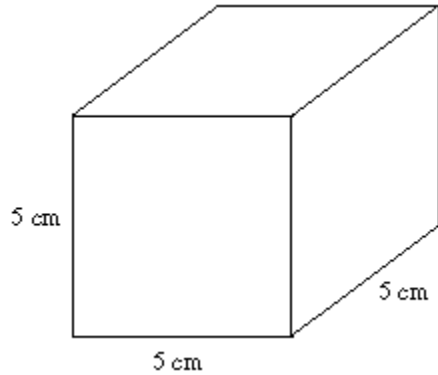
Let's try a few questions



This is a cuboid so volume = $L \times W \times H$

$$7 \times 4 \times 3 = 84\text{cm}^3$$

Let's try a few questions

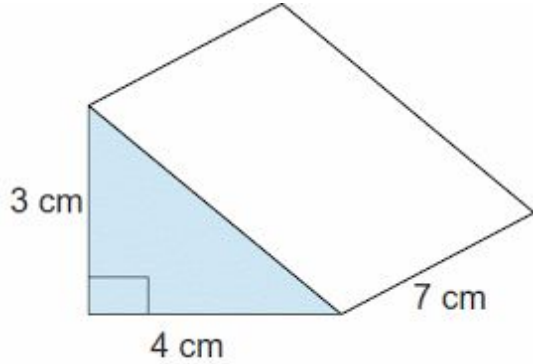


This is a cube so volume= L x W x H

$$5 \times 5 \times 5 = 125\text{cm}^3$$

We are essentially finding 5^3

Let's try a few questions



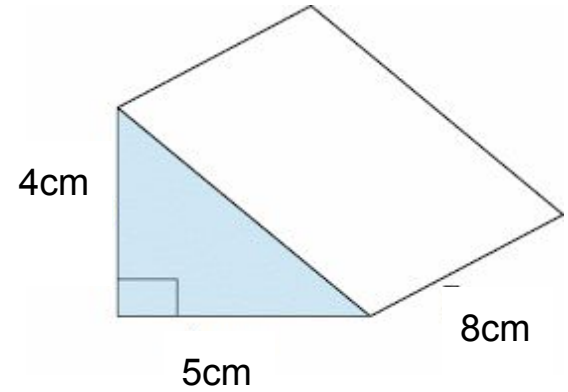
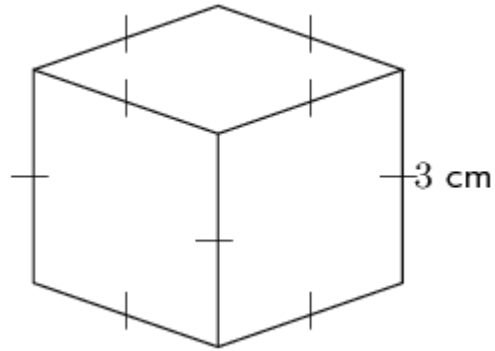
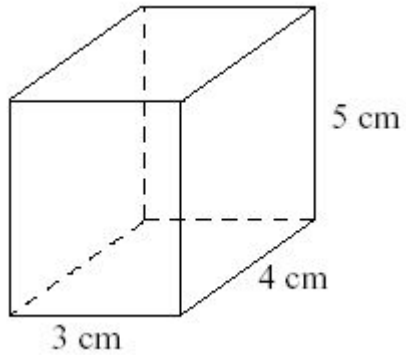
This is a right-angle triangular prism so

$$\text{volume} = \frac{1}{2} L \times W \times H$$

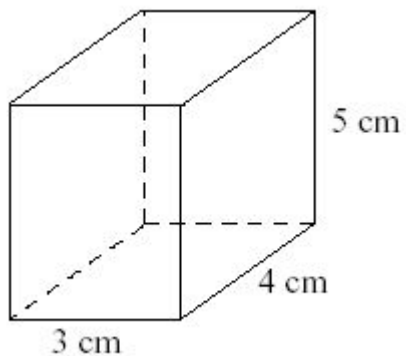
$$4 \times 3 \times 7 = 84\text{cm}^3$$

$$84 \div 2 = 42\text{cm}$$

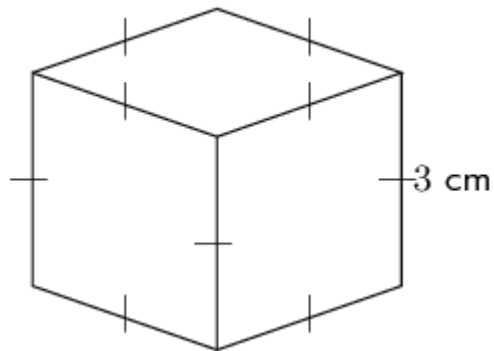
Try these:



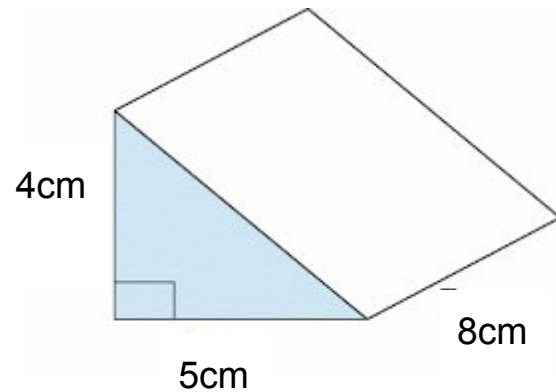
Answers



60cm^3



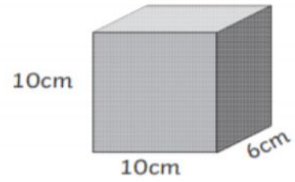
27cm^3



80cm^3

Red

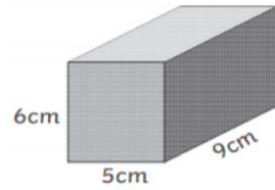
1.



Volume =

1. _____

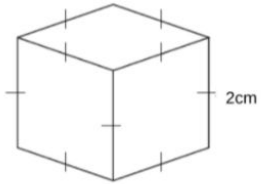
2.



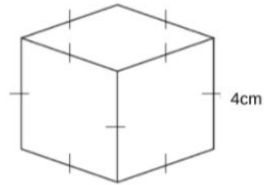
Volume =

2. _____

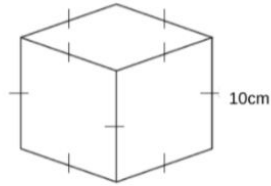
3.



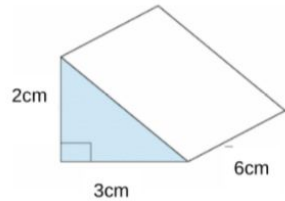
4.



5.

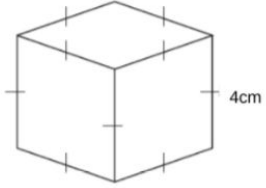


6.

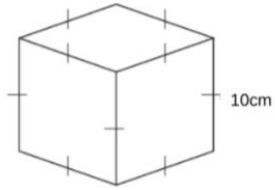


Yellow

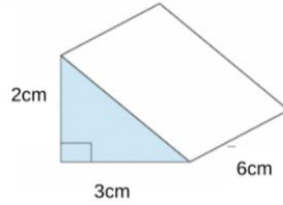
1.



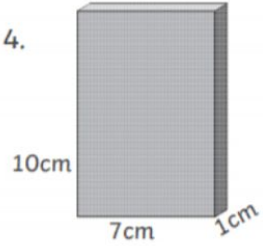
2.



3.



4.

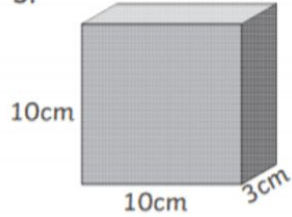


4.

Volume =

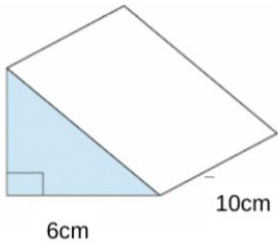
5.

5.



Volume =

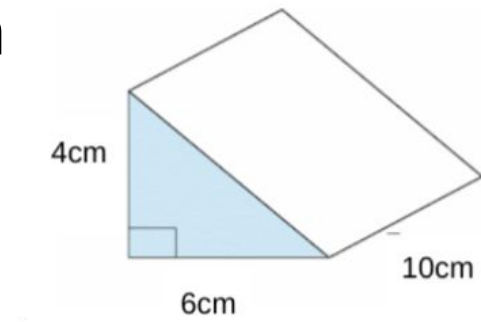
4cm



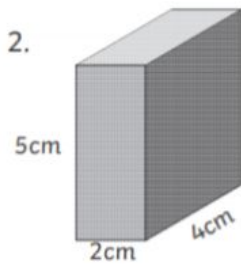
6cm

10cm

Green

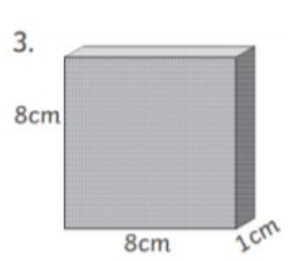


1.



2.

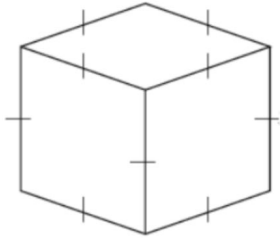
Volume =



3.

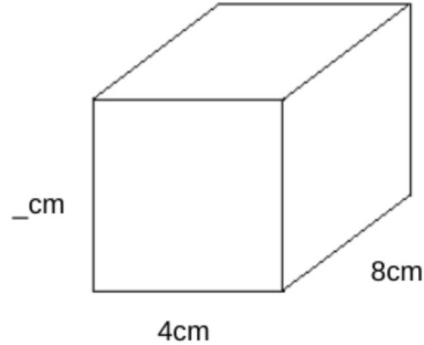
Volume =

For questions 4-6, calculate the missing measurements



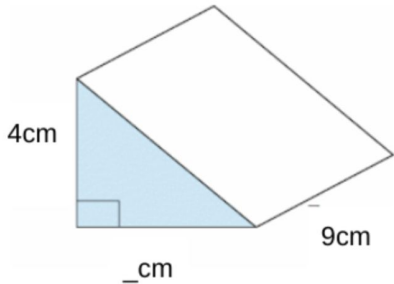
4.

volume= 64cm^3



5.

Volume= 160cm^3



6.

Volume= 108cm^3

Red Answers

1. 600cm^3
2. 270cm^3
3. 8cm^3
4. 64cm^3
5. 1000cm^3
6. 18cm^3

Yellow Answers

1. 64cm^3
2. 1000cm^3
3. 18cm^3
4. 70cm^3
5. 300cm^3
6. 120cm^3

Green Answers

1. 240cm^3
2. 40cm^3
3. 64cm^3
4. 4cm
5. 5cm
6. 6cm